

**WHELEN**<sup>®</sup>  
MANUFACTURED IN AMERICA

# Waste Vehicle

## Lighting Products



# LED Lightheads

5 year HDP® Heavy-Duty Professional Warranty



## 2" Round LED

- Available in Amber and Red
- Available in warning or clearance light models
- Warning light model includes one flash pattern
- Includes 2 1/2", 3", 3 1/2" flange mount grommet adapters (hole cutout required)
- Size: 2" (51mm) Dia.

MODEL #	DESCRIPTION	COLOR
TO*00F*R	Warning light, 1 flash pattern	Amber or Red
TO*00M*R	Clearance light	



## 0S LED Series

- Four LED marker/clearance light
- Certified to SAE J592
- Available in Amber and Red
- Chrome housing and Clear lens
- Size: 1" (25mm) H x 1 1/2" (38mm) L x 1/2" (13mm) D



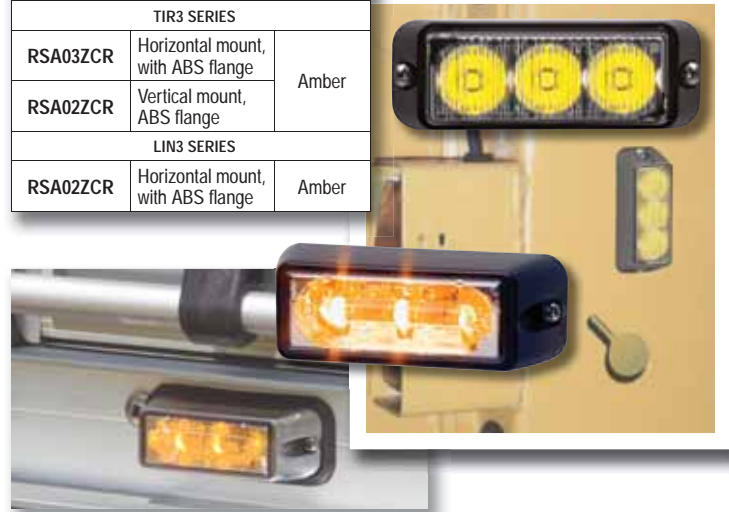
MODEL #	DESCRIPTION	COLOR
0S*00MCR	4 LED marker/clearance light	Amber or Red



## TIR3™ & LIN3™ Super-LED® Series

- Available in Amber
- Available in horizontal or vertical surface mount
- Includes Black ABS flange
- Fully encapsulated electronics provide full moisture and vibration protection
- 25 Scan-Lock™ flash patterns
- Size: 1 1/8" (28mm) H x 3 5/8" (91mm) W x 1 1/4" (32mm) D

MODEL #	DESCRIPTION	COLOR
TIR3 SERIES		
RSA03ZCR	Horizontal mount, with ABS flange	Amber
RSA02ZCR	Vertical mount, ABS flange	
LIN3 SERIES		
RSA02ZCR	Horizontal mount, with ABS flange	Amber



## LINZ6™ Super-LED Series

- Available in Amber and Red
- Horizontal surface mount
- Wide-angle optics
- Includes Black flange
- Fully encapsulated electronics provide full moisture and vibration protection
- Size: 2" (50mm) H x 4" (102mm) W x 1 5/8" (40mm) D

MODEL #	DESCRIPTION	COLOR
LINZ6A	Horizontal mount with Black Flange	Amber or Red



# LED Lighthoods

## 500 Super-LED® Series

- Available in Amber and Red
- Available in single or split models
- Multiple Scan-Lock™ flash patterns
- Single color model, color outer lens
- Split color model, Clear outer lens
- Fully encapsulated electronics provide full moisture and vibration protection
- Requires mounting kit, purchased separately
- Size: 1-5/8" (41mm) H x 5" (127mm) W

MODEL #	DESCRIPTION	COLOR
50AA2SA2	Cab mount lights with Chrome flange, vertical mount (one per side)	Amber or Red
50A02SA1	Grommet mount, includes grommet, lights used on rear of trucks (in an array of 7)	



## 5G LED Series

- SAE J845 Class 1 Certified
- Available in Amber and Red
- Polycarbonate lens and housing
- Fits all applicable industry horizontal or vertical mount accessories
- 14 flash patterns
- Fully encapsulated electronics provide full moisture and vibration protection
- Vinyl mounting grommet included
- Lamp includes 6" integral wires
- Size: 5-1/2" (140mm) D x 1-1/4" (31mm) D (with grommet)

MODEL #	DESCRIPTION	COLOR
5G*00F*R	5mm LED warning light	Amber or Red



## 2G LED Series

- SAE J845 Class 1 Certified
- Available in Amber, Red and White
- Polycarbonate lens and housing
- 14 flash patterns
- Fully encapsulated electronics provide full moisture and vibration protection
- Vinyl mounting grommet included
- Lamp includes 6" integral wires
- Size: (Lens) 1-5/8" (41mm) H x 5" (127mm) L

MODEL #	DESCRIPTION	COLOR
2G*00F*R	5mm LED warning light with 14 flash patterns and Steady-Burn, includes grommet	Amber or Red
20C0CDCR	Compartment light	White
20C0CDCD	Compartment light with Deutsch™ connector	



Replace "\*" symbol in model number with letter indicating lens color or LED color desired: A = Amber; C = Clear/White; R = Red

# LED Beacons

## L10 Super-LED® Series

- SAE Class 1 Certified
- Models in combination (permanent/pipe/J-Hook), magnetic, or magnetic/suction mounts
- Magnetic mount supplied with an 8' cord and cigar plug, 10' straight cord and cigar plug with LED indicator On/Off switch plus pattern control switch
- Optional mirror mount brackets and branch guard available
- Available in Amber, White or Amber/White
- Polycarbonate Base
- 75 SignalAlert™ FPM
- 12 and 24 VDC models
- Size, High Dome:  
6-13/16" (172mm) H x  
6-7/16" (163mm) Dia.  
Low Dome:  
5-5/16" (134mm) H x  
6-7/16" (163mm) Dia.



## L21 & L22 Super-LED Series

- Encapsulated beacons
- Polycarbonate and cast aluminum base models available
- Models in combination (permanent/pipe/J-hook), magnetic and magnetic/suction mounts
- Combination mount has multiple Scan-Lock™ flash patterns, synchronization capability and is available with photocell Hi/Low
- High and low domes available
- Available in Amber and Red
- 12 and 24 VDC models
- Size, High Dome:  
6-1/2" (165mm) H x  
6-3/8" (161mm) Dia.  
Low Dome: 5" (125mm) H x  
6-3/8" (161mm) Dia.



## L31 Super-LED Series

- SAE Class 1 Certified
- Models in permanent, magnetic, or magnetic/suction mounts
- Optional branch guard, pipe mount kits, mirror mount and shelf mount brackets available
- Certified to meet California Title XIII, Table 4 requirements
- Available in Amber and White
- 12 and 24 VDC models
- Size: 4" (102mm) H x  
7-3/16" (182mm) Dia.



## L32 Super-LED Series

- SAE Class 1 Certified
- Models in permanent, magnetic, or magnetic/suction mounts
- Available in Amber and White
- Optional pipe mount kit, mirror mount and shelf mount brackets available
- 12 and 24 VDC models
- Size: 2-1/2" (64mm) H x  
7-3/16" (182mm) Dia.



## L41 Super-LED Series

- SAE Class 1 Certified
- Available in Amber, Blue, Red and White
- Cast aluminum powder coated base & polycarbonate dome
- Models in combination (permanent/pipe/J-Hook), magnetic, or magnetic/suction mounts
- Permanent mount has Hi/Low and Synchronization feature
- 75 SignalAlert FPM and 25 selectable patterns, including steady-burn
- Fully encapsulated electronics provide full moisture and vibration protection
- Optional mirror mount brackets
- 12 and 24 VDC models
- Size: 4-7/8" (121mm) H x  
6-7/8" (163mm) Dia.



# LED and Strobe Beacons

## L51 & L53 Super-LED Series

- L51 is SAE Class 1 Certified and available in Amber and White
- L51 is encapsulated for moisture and vibration protection
- L53 is SAE Class 3 Certified and available in Amber
- Polycarbonate Black base and twist off dome
- Models in permanent/pipe or magnetic mounts
- Magnetic mount supplied with a 10' straight cord and cigar plug with LED indicator On/Off switch
- Full reverse polarity protection
- 75 SignalAlert™ FPM
- Optional mirror mount brackets
- 12 VDC
- Size: 3-3/4" (95mm) H x 5" (127mm) Dia.



## 2015, 2022 and 2519 Strobe Series

- SAE Certified
- Wide range of economic models from 5 to 22 watt output
- Models in permanent, magnetic, and magnetic/suction mounts
- Silicone coated power supply
- 12 and 24 VDC models
- Size, High Dome: 6-1/2" (165mm) H x 6-3/8" (161mm) Dia.
- Size, Low Dome: 5" (127mm) H x 6-3/8" (161mm) Dia.



HIGH DOME MODEL #	LOW DOME MODEL #	MOUNT	BASE	COLOR	VOLTS
<b>2000 SERIES STROBE BEACONS</b>					
<b>2015 Series - 15 Watt Strobe</b>					
2015HP*	2015LP*	Perm/Pipe	Polycarbonate	Amber & Clear	12
2015HP*M	2015LP*M	Magnetic			
2015HP*V	2015LP*V	Magnetic/Suction Cup			
<b>2022 Series - 22 Watt Strobe</b>					
2022HP*	2022LP*	Perm/Pipe	Polycarbonate	Amber & White	12
2022HP*M	2022LP*M	Magnetic			
2022HP*V	2022LP*V	Magnetic/Suction Cup			
2022AP*	—	Perm/Pipe, Automatic Hi/Low			
<b>2519 Series - 19 Watt Strobe</b>					
2519HP*	2519LP*	Perm/Pipe/J* Hook	Polycarbonate	Amber & White	12
2519HP*M	2519LP*M	Magnetic			
2519HP*V	2519LP*V	Magnetic/Suction Cup			
<b>L SERIES SUPER-LED® BEACONS</b>					
<b>L10 Series - Class 1 (Amber) with Scan-Lock Flash Patterns</b>					
L10HAP	L10LAP	Perm/Pipe Hook	Polycarbonate	Amber & White	12
L10HAP4	L10LAP4	Perm/Pipe Hook			24
L10HAM	L10LAM	Magnetic			12
L10HAV	L10LAV	Magnetic/Suction			
L10H#P	L10L#P	Perm/Pipe Hook			Duo Color
<b>L21 Series - Class 1 (Amber)</b>					
L21H*P	L21L*P	Perm/Pipe/J* Hook	Polycarbonate	Amber or White	12
L21H*P4	L21L*P4				24
L21H*M	L21L*M	Magnet Mount			12
L21H*V	L21L*V	Magnetic/Suction Cup			
<b>L22 Series - Class 2 (Amber)</b>					
L22H*P	L22L*P	Perm/Pipe Mount	Polycarbonate	Amber or White	12
L22H*P4	L22L*P4				24
L22H*M	L22L*M	Magnet Mount			12
L22H*V	L22L*V	Magnetic/Suction Cup			
<b>L31 Series - Class 1 (Amber)</b>					
L31H*F	—	Flat	Cast Aluminum	Amber or White	12
L31H*F4	—				24
L31H*M	—	Magnet			
L31H*V	—	Magnetic/Suction Cup	12		
L31HRFN	—	Flat			
<b>L32 Series - Class 1 (Amber)</b>					
—	L32L*F	Flat	Cast Aluminum	Amber or White	12
—	L32L*F4	Flat			24
—	L32L*M	Magnet			
—	L32L*V	Magnetic/Suction Cup			12
<b>L41 Series - Class 1 (Amber)</b>					
L41*P	—	Perm/Pipe	Cast Aluminum	Amber or White	12/24
L41*M	—	Magnetic			
L41*V	—	Magnetic/Suction			
L40BG	—				
<b>L51 &amp; 53 Series - Class 1 (L51), Class 3 (L53)</b>					
L51*P	—	Perm/Pipe Mount	Polycarbonate with twist-off domes	Amber or White	12 (24, contact factory)
L51*M	—	Magnet			
L53AP	—	Flat			
L53AM	—	Magnet			

Replace \*\*\* symbol in model number with letter indicating lens color or LED color desired: A = Amber; C = Clear/White; R = Red

# Pioneer Micro™ Work/Scene Light Series

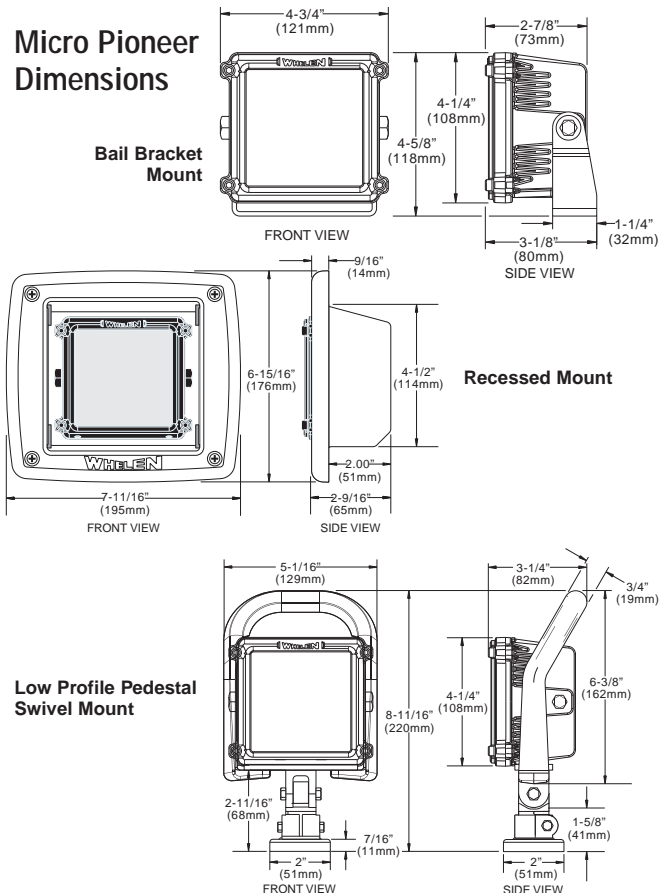
## Pioneer Micro™ Series

- 8° spotlight includes additional 90° x 20° wide flood, 40° x 20° flood, and 40° x 8° horizontal flood lenses
- Die cast aluminum Black powder coated housing
- Solid-state electronics
- Powder coated stainless steel bail bracket with 3/8" stud carriage bolt mount
- Rated IP67 for dust and water resistance
- Optic lens changes easily via four screws in picture frame fixture



MODEL #	HOUSING	HOUSING COLOR	VOLTS	AMPS	WATTS	LUMENS
MPBW	Bail/stud	White	12	3.5	44.8	4100
MPBB		Black				
MPB4W		White	24	1.75	44.8	4100
MPB4B		Black				
MPRW	Recessed Chrome straight flange	White	12	3.5	44.8	4100
MPRB		Black				
MPR4W		White	24	1.75	44.8	4100
MPR4B		Black				
MPR15W	Recessed Chrome 15° downward angled flange	White	12	3.5	44.8	4100
MPR15B		Black				
MPR154W		White	24	1.75	44.8	4100
MPR154B		Black				
MPPW	Low profile pedestal/swivel	White	12	3.5	44.8	4100
MPPWCS		White with Chrome cover & On/Off switch				
MPPB		Black	12	3.5	44.8	4100
MPPBBS		Black with Chrome cover & On/Off switch				
MPPBCS		Black with Chrome cover & On/Off switch	12	3.5	44.8	4100
MPP4W		White				
MPP4B	Black	24	1.75	44.8	4100	

## Micro Pioneer Dimensions



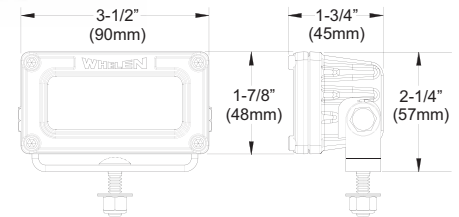
# Pioneer Nano™ 3 & 6 Diode Series Work/Scene Light

## Pioneer Nano™ Series

- 8° spotlight includes an additional 40° x 20° floodlight lens
- Three and six diode models
- Die cast aluminum Black powder coated housing
- Solid-state electronics
- Powder coated stainless steel bail bracket with 3/8" stud carriage bolt mount
- Rated IP67 for dust and water resistance
- Optic lens changes easily via four screws in picture frame fixture

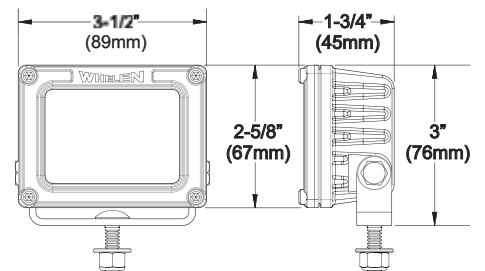


## Pioneer Nano 3



MODEL #	DIODES	HOUSING	HOUSING COLOR	VOLTS	AMPS	WATTS	LUMENS
NP3BW	3	Bail/Stud	White	12	1	12.8	1100
NP3BB			Black				

## Pioneer Nano 6



MODEL #	DIODES	HOUSING	HOUSING COLOR	VOLTS	AMPS	WATTS	LUMENS
NP6BW	6	Bail/Stud	White	12	1.5	19.6	1800
NP6BB			Black				
NP6B4W			White	25.6	.75	19.6	
NP6B4B			Black				



**DISTRIBUTED BY**

**WHELEN<sup>®</sup>**  
**MANUFACTURED IN AMERICA**

**ENGINEERING COMPANY, INC.**

***Engineers for the Emergency Warning Industry***

51 Winthrop Road, Chester, CT 06412-0684

860-526-9504 Fax 860-526-4078

[www.whelen.com](http://www.whelen.com)

***Whelen Products are Proudly Made in the U.S.A.***

***ISO 9001 Registered QMS***

© 2014 Whelen Engineering Company, Inc.  
Whelen reserves the right to upgrade and improve products without notice.  
Printed in U.S.A. Code-12274B-042414