

Howler™

LOW FREQUENCY SIREN & SPEAKER SYSTEM

An added layer of warning for intersections and high risk areas when used with your 100/200 watt siren amplifier. Howler provides deep, low frequency tones, which penetrate other vehicles, alerting drivers and pedestrians of your approach.

Howler is not a replacement to the vehicle's primary siren; Howler adds a minimum eight second penetrating burst of low frequency siren sound for use in heavy traffic, intersections or other high ambient noise conditions.



FEATURES

- Howler is an add-on to any 100/200 watt warning siren such as the Whelen 295SL Series. Works with most siren amplifiers.
- Includes siren amplifier and speaker(s). Works in conjunction with existing siren systems, purchased separately.
- Works with any sweeping tone, plus Hi/Low and electronic mechanical tone generated by the primary siren.
- Howler low-frequency tones synchronize with your primary siren tones to penetrate high noise, traffic situations.
- Howler amplifier module uses the primary siren speaker output wires and divides the frequency to one of three frequency bands via dip switch. Selections are 1/4 tone, 1/2 tone or a composite of both.
- Lower frequency reverberating tones are able to penetrate vehicles, alerting drivers to your oncoming emergency vehicle.
- Built-in timer limits overexposure time, however, operators are advised to wear approved hearing protection.
- Two external cancel controls, standard. A positive or negative activation will cancel tone.
- Select tone duration and tone style via easy Scan-Lock™ feature and LED indicator (selection of 8 different tone durations: 8-60 seconds maximum).



WHELEN®

Howler™ Specifications

Selecting tone duration and style is easy. Three LEDs located on the rear of the Howler amplifier provide a visual indication of the currently selected tone style during the configuration process.

Using the Scan-Lock™ button, cycle through the three different tone styles. The currently selected style and tone can be identified by these LED indicators.

Select Tone Style Via LED Indicator

LEDS	LED1	LED2	LED3	STONE STYLE
● ○ ○	On	Off	Off	1/4 Primary siren tone frequency (default)
○ ● ○	Off	On	Off	1/2 Primary siren tone frequency
● ● ○	On	On	Off	1/4 & 1/2 Primary siren tone frequency

MODELS

- HWLCC11**.....Siren amplifier with one speaker, includes mounting bracket for 2012-2014 Chevy Caprice.
- HWLFT11**.....Siren amplifier with one speaker, includes mounting bracket for 2010-2011 Ford Taurus and 2013-2014 Police Interceptor.
- HOWLER**.....Siren amplifier with two speakers, optional vehicle specific mounting brackets, no charge when purchased with Howler system.
- HWLRB2**.....Howler mounting bracket for 2008-2013 Ford Expedition.
- HWLRB4**.....Howler mounting bracket for 2008-2011 Ford E-Series.
- HWLRB5**.....Howler mounting bracket for 2008-2013 Chevy Suburban and Chevy Tahoe.
- HWLRB7**.....Howler mounting bracket for 2008-2011 Chevy Impala.
- HWLRB9**.....Howler mounting bracket for 2009-2011 Chevy 2500/3500 Silverado.
- HWLRB11**.....Howler mounting bracket for 2011 Chevy Express G-Series.
- HWLRB12**.....Howler mounting bracket for 2011-2013 Ford F250-F550 Super-Duty.
- HWLRB13**.....Howler mounting bracket for 2011-2014 Ford Explorer and 2013-2014 Utility Police Interceptor. Driver-side bracket includes built-in mounting for a SA315P speaker.
- HWLRB14**.....Howler mounting bracket for 2011 Dodge 4500.
- HWLRB15**.....Howler mounting bracket for 2011-2013 Dodge Charger (not for V6).
- HWLRB18**.....Howler mounting bracket for 2012-2013 Chevy 2500/3500 Silverado and Suburban.

SPECIFICATIONS

- Output: 16 amps @ 200 watts with 2 speakers
8 amps @ 100 watts with 1 speaker
- Speaker Weight: 8 lbs. (3.63kg)

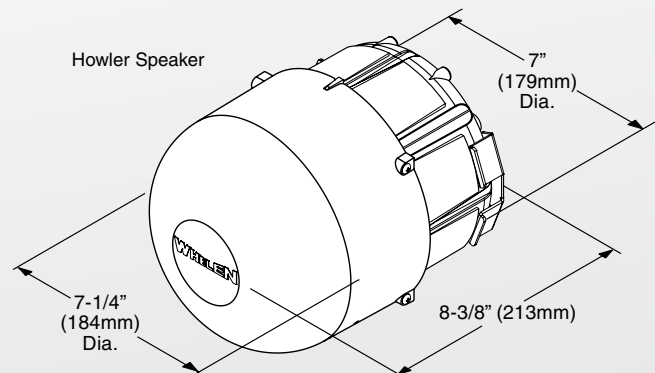
Select Tone Duration Via LED Indicator

LEDS	LED1	LED2	LED3	STONE DURATION
○ ○ ○	Off	Off	Off	7.5 Seconds (default)
● ○ ○	On	Off	Off	15 Seconds
○ ● ○	Off	On	Off	22.5 Seconds
● ● ○	On	On	Off	30 Seconds
○ ○ ●	Off	Off	On	37.5 Seconds
● ○ ●	On	Off	On	45 Seconds
○ ● ●	Off	On	On	52.5 Seconds
● ● ●	On	On	On	60 Seconds

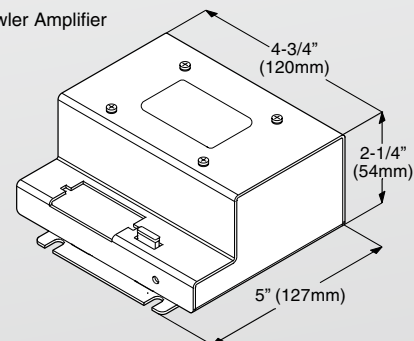
Rear of Amplifier showing LED indicators



Howler Speaker



Howler Amplifier



WHELEN®
ENGINEERING COMPANY, INC.
 51 Winthrop Road
 Chester, Connecticut 06412-0684
 (860) 526-9504 • Fax: (860) 526-4078
 www.whelen.com

Whelen Engineering reserves the right to upgrade and improve products without notice.
 © 2013 Whelen Engineering Company, Inc. Printed in U.S.A.
 Code No. 12174H-1213